



T&S BRASS AND BRONZE WORKS, INC.

2 Saddleback Cove / P.O. Box 1088
Travelers Rest, SC 29690

Model No.

P3-8WOSN00PZLUB

Item No.

Travelers Rest, SC: 800-476-4103 • Simi Valley, CA: 800-423-0150 • Fax: 864-834-3518 • www.tsbrass.com

This Space for Architect/Engineer Approval

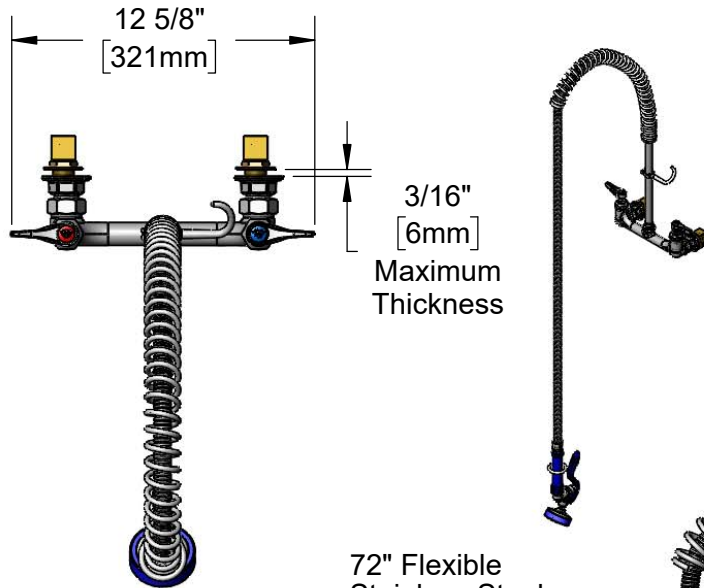
Job Name _____ Date _____

Model Specified _____ Quantity _____

Customer/Wholesaler _____

Contractor _____

Architect/Engineer _____



3/16"
[6mm]
Maximum
Thickness

72" Flexible
Stainless Steel
Hose w/ Spring
& Spray Valve

Items Not
Shown
for Clarity
Finger Hook

Quarter-Turn
Eterna Cartridges
w/ Spring Checks
& Lever Handles
w/ Color Coded
Indexes

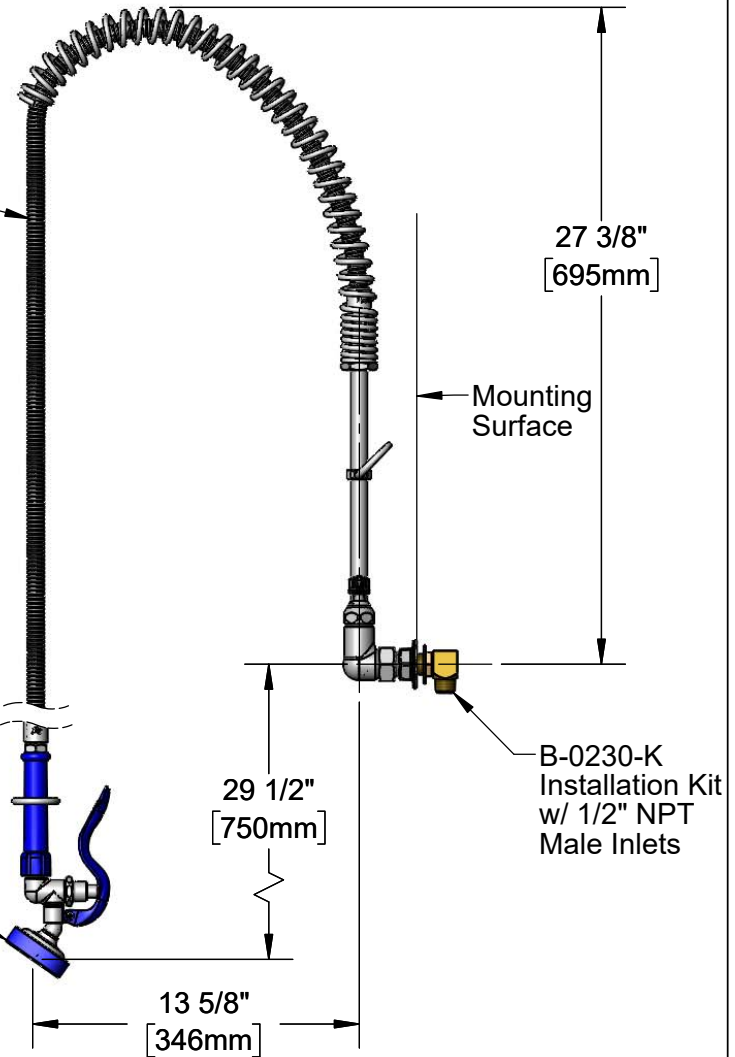
3/8" NPT x
12" Riser

EasyInstall
Lock Nut
& Bushing

3 11/16"
[94mm]

8"
[203mm]
Adjustable From
7 3/4" to 8 1/4"
[197mm to 210mm]

EB-0107-035
High Flow
Spray Valve



Mounting
Surface

27 3/8"
[695mm]

B-0230-K
Installation Kit
w/ 1/2" NPT
Male Inlets

29 1/2"
[750mm]

13 5/8"
[346mm]

Product Specifications:

8" Wall Mount Mixing Faucet, Quarter-Turn Eterna Cartridges w/ Spring Checks, Lever Handles, 72" Flexible Stainless Steel Hose, High Flow Angled Spray Valve (Blue) & Installation Kit w/ 1/2" NPT Male Inlets

Product Compliance:

ASME A112.18.1 / CSA B125.1
NSF 61 Exempt (Non-Potable)
2019 DOE PRSV Non-Compliant



T&S BRASS AND BRONZE WORKS, INC.

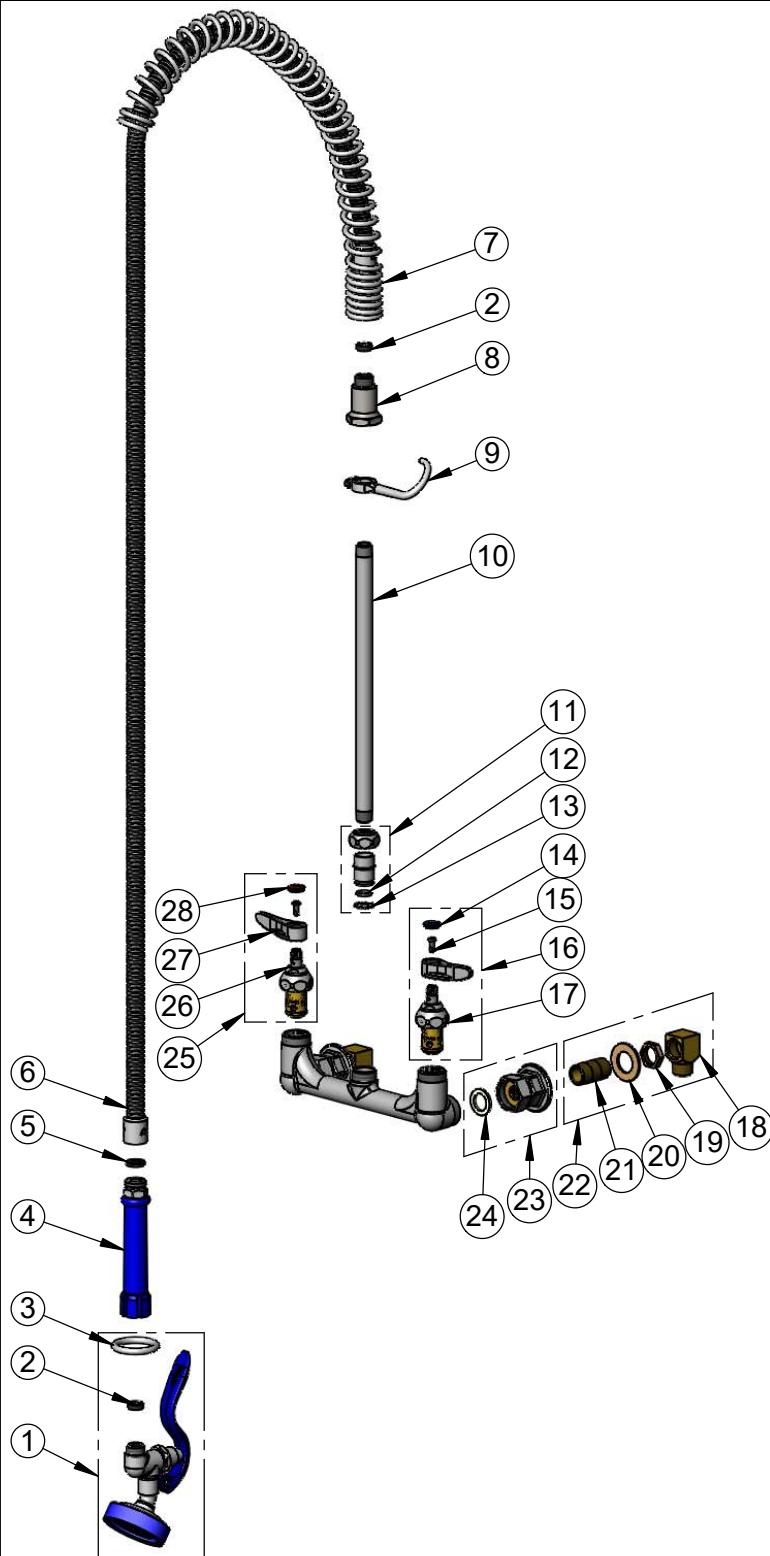
2 Saddleback Cove / P.O. Box 1088
Travelers Rest, SC 29690

Model No.

P3-8WOSN00PZLUB

Item No.

Travelers Rest, SC: 800-476-4103 • Simi Valley, CA: 800-423-0150 • Fax: 864-834-3518 • www.tsbrass.com



ITEM NO.	SALES NO.	DESCRIPTION
1	EB-0107-035	High Flow Angled Spray Valve
2	010476-45	#27 Washer
3	000907-45	Spray Valve Hold Down Ring
4	011482-40	Blue Grip Handle
5	001014-45	Washer, B-0100 Hose Barrel
6	B-0072-H2A	72" Flexible Stainless Steel Hose, Less Handle
7	B-0109-01	6" Wall Bracket
8	000821-40	Spring Body
9	004R	Finger Hook
10	000366-40	Nipple, 3/8" NPT x 12"
11	EZ-K	EasyInstall Kit: Nut, Bushing, O-Ring & Lock Washer
12	001065-45	O-Ring
13	014200-45	Star Washer, Anti-Rotation
14	018506-19NS	Blue Button Index, Press-in
15	000925-45	Lab Handle Screw
16	002711-40NS	Quarter-Turn Eterna Cartridge, LTC w/ Spring Check, Handle, Index & Screw
17	012442-40NS	Quarter-Turn Eterna Cartridge, LTC w/ Spring Check
18	B-1100-K	1/2" NPT Male Inlet Elbow
19	002954-45	Shank Lock Nut
20	000999-45	Brass Lock Washer
21	013357-20	1/2" NPT x 1 5/8" Close Nipple
22	B-0230-K	Short Elbow Installation Kit
23	00AA	1/2" NPT Female Eccentric Flange
24	001019-45	Coupling Nut Washer
25	002712-40NS	Quarter-Turn Eterna Cartridge, RTC w/ Spring Check, Handle, Index & Screw
26	012443-40NS	Quarter-Turn Eterna Cartridge, RTC w/ Spring Check
27	001638-45NS	Lever Handle (New Style)
28	001193-19NS	Red Button Index, Press-in

Product Specifications:

8" Wall Mount Mixing Faucet, Quarter-Turn Eterna Cartridges w/ Spring Checks, Lever Handles, 72" Flexible Stainless Steel Hose, High Flow Angled Spray Valve (Blue) & Installation Kit w/ 1/2" NPT Male Inlets

Product Compliance:

ASME A112.18.1 / CSA B125.1
NSF 61 Exempt (Non-Potable)
2019 DOE PRSV Non-Compliant